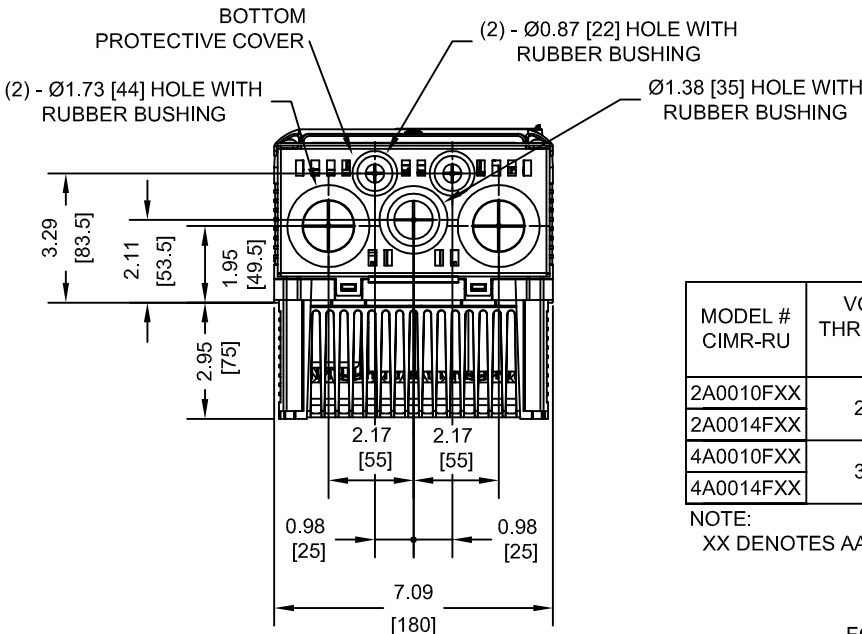
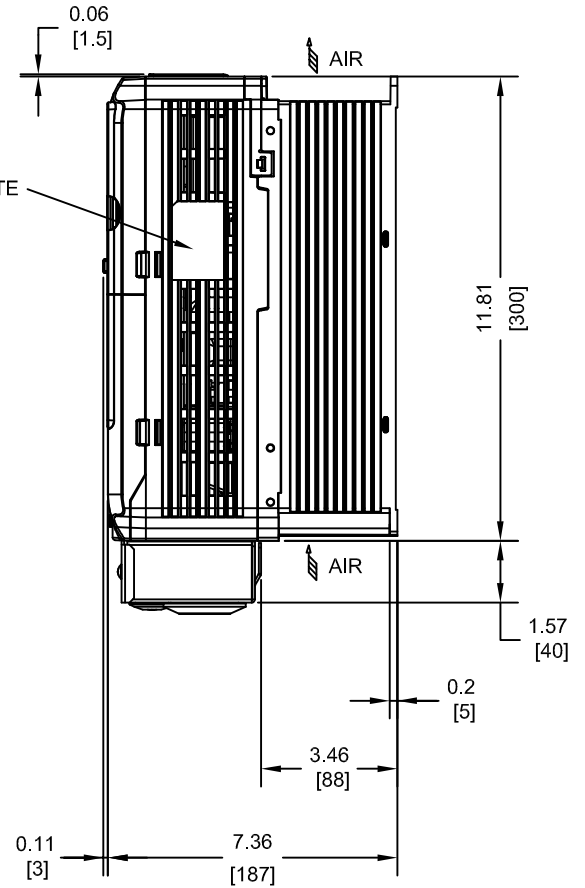
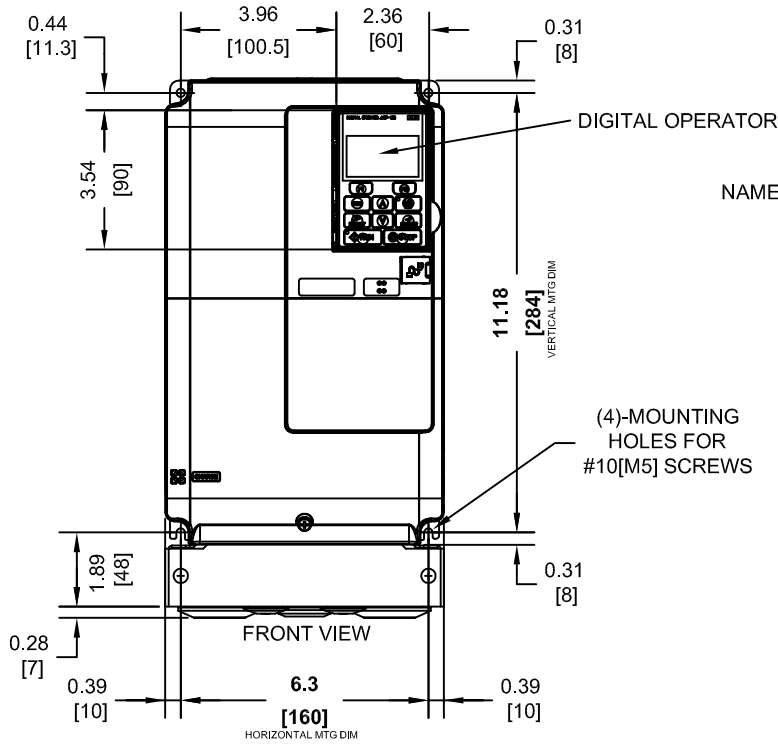


NOTE:
 PROTECTIVE COVERS ARE FACTORY INSTALLED TO THE TOP AND BOTTOM OF THE DRIVE TO MEET IP20 & NEMA TYPE 1 REQUIREMENTS, RESULTING IN AN AMBIENT TEMPERATURE RATING OF 104F(40C). REMOVE THESE COVERS WHEN OPERATING THE DRIVE WITHIN A PANEL TO OBTAIN THE MAXIMUM SURROUNDING AIR TEMPERATURE RATING OF 122F(50C). REMOVING THESE COVERS RESULTS IN AN ENCLOSURE RATING OF IP00.



MODEL # CIMR-RU	VOLTAGE THREE-PHASE (VAC)	OUTPUT CAPACITY (kW)	WEIGHT LBS (Kg)	HEAT LOSS (W)		
				INT	EXT	TOT
2A0010FXX	200/240	10	13.2 (6.0)	39	99	138
		14	13.2 (6.0)	49	149	198
4A0010FXX	380/480	10	11.0 (5.0)	31	53	84
		14	11.0 (5.0)	38	80	118

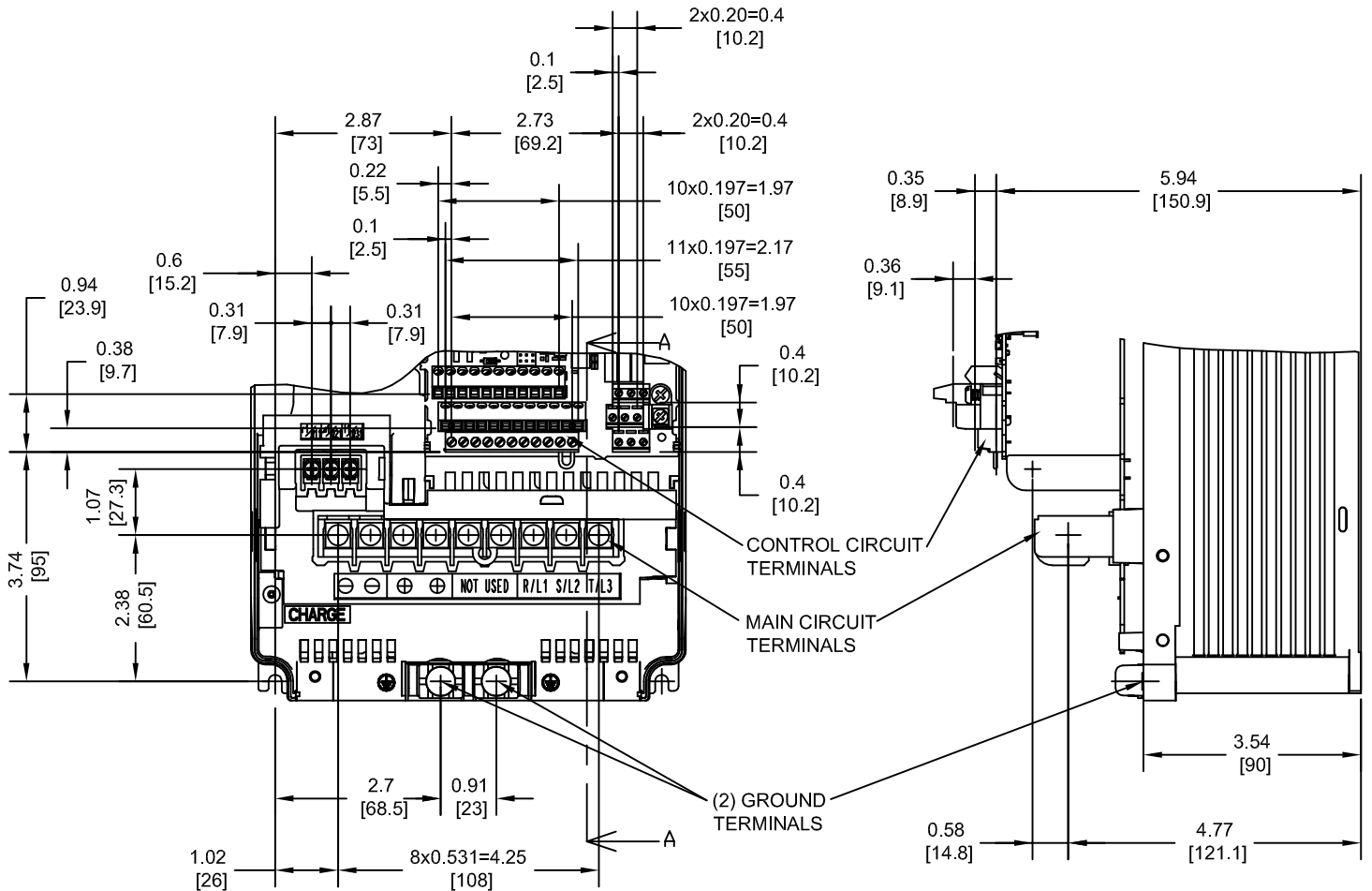
NOTE:
 XX DENOTES AA-ZZ

INT=INTERNAL COMPONENTS
 EXT=EXTERNAL HEATSINK
 TOT=TOTAL

FOR ADDITIONAL DETAILS AND SPECIFICATIONS, CONSULT MANUAL

TOLERANCES / REFERENCES:			DRAWN: J. MATTAS	DATE 9-2-14	TITLE: R1000 DIMENSION DRAWING		
UNITS: IN[mm]	SCALE: 1:5		CHECKED: J. PIOTROWSKI	DATE 10-7-14	FRAME SIZE 2		
		THIS DOCUMENT AND INFORMATION CONTAINED IN IT ARE CONFIDENTIAL, AND CANNOT BE COPIED OR DISCLOSED IN WHOLE OR IN PART WITHOUT THE EXPRESS WRITTEN CONSENT OF YASKAWA AMERICA, INC.		TECH: J. BORJA	DATE 9-22-14	NEMA TYPE 1 ENCLOSURE	
		APPROVED: J. CAIRO	DATE 11-18-14	DATE 11-18-14	SIZE A	REVISION R00	PAGE 1 of 3
		ORIGINAL DESIGN: -	DATE -	DRAWING #: DD.R1K.FR2.N1			

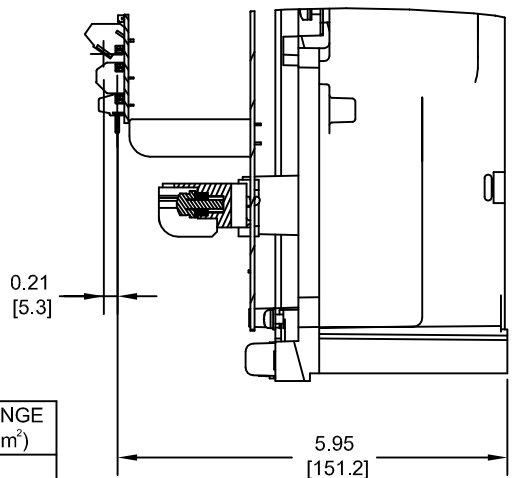
TERMINAL AND WIRING DETAILS (SCALE 1:3)



TERMINAL AND WIRE SPECIFICATIONS FOR MAIN CIRCUIT AND GROUND

MODEL # CIMR-RU	TERMINAL SYMBOL	TERMINAL SCREW	CLAMPING TORQUE lb.in.(N.m.)	WIRE RANGE AWG(mm ²)
2A0010F 2A0014F	R/L1, S/L2, T/L3, ⊖, ⊕	M4	18.6 TO 20.4 (2.1 TO 2.3)	12-6 (2.5-16)
4A0010F 4A0014F	r1/211, s1/221, t1/231 ⊕	M3.5 M6	7.1 TO 8.9 (0.8 TO 1.0) 47.8 TO 53.1 (5.4 TO 6)	14 (2.5) 16-10 (1.5-6)

NOTE: REFER TO APPLICABLE CODES FOR PROPER WIRE TYPE AND SIZE

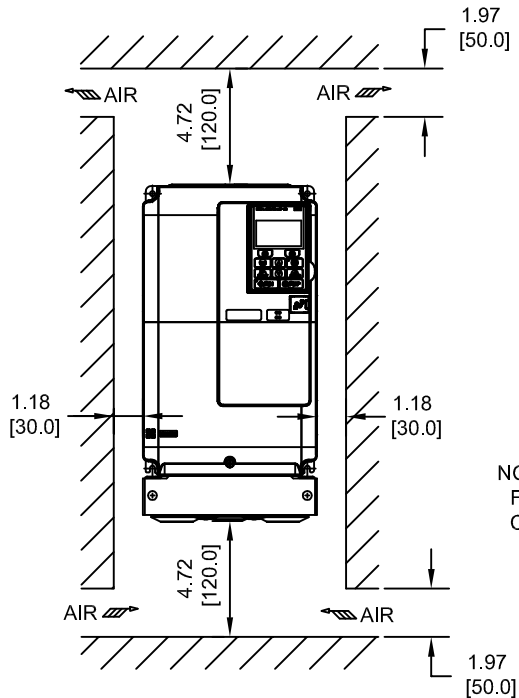


SECTION A-A

FOR ADDITIONAL DETAILS AND SPECIFICATIONS, CONSULT MANUAL

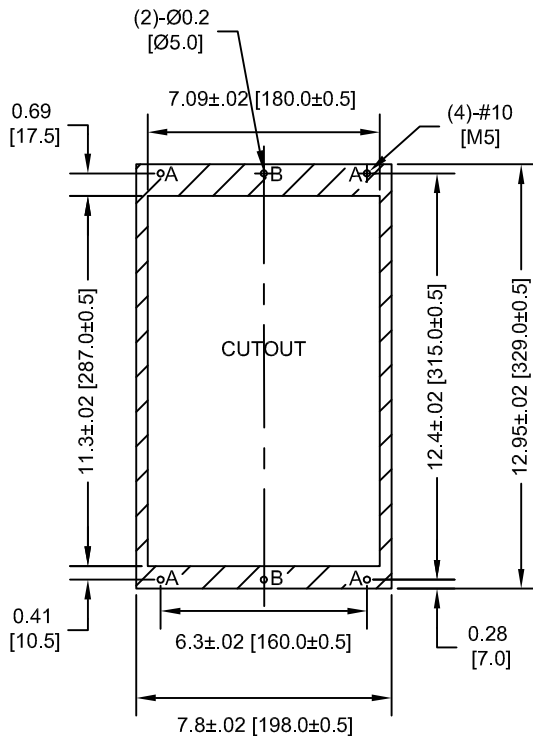
TOLERANCES / REFERENCES:			DRAWN: J. MATTAS	DATE: 9-2-14	TITLE: R1000 DIMENSION DRAWING		
UNITS: IN[mm]	SCALE: BY VIEW		CHECKED: J. PIOTROWSKI	DATE: 10-7-14	FRAME SIZE 2 NEMA TYPE 1 ENCLOSURE 2A0010F, 2A0014F, 4A0010F, 4A0014F		
		THIS DOCUMENT AND INFORMATION CONTAINED IN IT ARE CONFIDENTIAL, AND CANNOT BE COPIED OR DISCLOSED IN WHOLE OR IN PART WITHOUT THE EXPRESS WRITTEN CONSENT OF YASKAWA AMERICA, INC.	TECH: J. BORJA	DATE: 9-22-14	SIZE: A	REVISION: R00	PAGE: 2 of 3
			APPROVED: J. CAIRO	DATE: 11-18-14	DRAWING #: DD.R1K.FR2.N1		
			ORIGINAL DESIGN: -	DATE: -			

MINIMUM INSTALLATION CLEARANCES (SCALE 1:8)



NOTE:
FOR SIDE-BY-SIDE MOUNTING
CONSULT MANUAL

PANEL CUTOUT FOR EXTERNAL HEATSINK
MOUNTING CONFIGURATION (SCALE 1:6)



NOTES:

- EXTERNAL HEATSINK CONFIGURATION REQUIRES MOUNTING KIT
- EXPOSED HEATSINK RECOMMENDED CLEARANCE D=3.15" MINUS PANEL THICKNESS

FOR ADDITIONAL DETAILS AND SPECIFICATIONS, CONSULT MANUAL

TOLERANCES / REFERENCES:			DRAWN: J. MATTAS DATE: 9-2-14	DATE: 9-2-14	TITLE: R1000 DIMENSION DRAWING FRAME SIZE 2 NEMA TYPE 1 ENCLOSURE 2A0010F, 2A0014F, 4A0010F, 4A0014F	
UNITS: IN[mm]	SCALE: BY VIEW		CHECKED: J. PIOTROWSKI DATE: 10-7-14	DATE: 10-7-14		
THIS DOCUMENT AND INFORMATION CONTAINED IN IT ARE CONFIDENTIAL, AND CANNOT BE COPIED OR DISCLOSED IN WHOLE OR IN PART WITHOUT THE EXPRESS WRITTEN CONSENT OF YASKAWA AMERICA, INC.		TECH: J. BORJA DATE: 9-22-14	DATE: 9-22-14	SIZE: A	REVISION: R00	PAGE: 3 of 3
		APPROVED: J. CAIRO DATE: 11-18-14	DATE: 11-18-14	DRAWING #: DD.R1K.FR2.N1		
		ORIGINAL DESIGN: -	DATE: -			